

H2 & H2W LECTERN

ALUMINUM LINE

Light-weight lecterns designed with progressive style and function in mind.



H2 STANDARD

DESCRIPTION:

Anodized aluminum frame with your choice of:
Black or Silver MDF top and base.

PANEL OPTIONS:

Brushed aluminum or frosted acrylic.
Matte black aluminum available by request.

BLACK (SPEAKING SURFACE)



1AL-H2-S-M

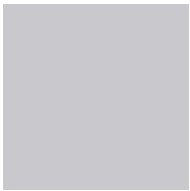


Brushed Aluminum Panel
(0-PANEL-H2-BR)



Frosted Acrylic Panel
(0-PANEL-H2-FA)

SILVER (SPEAKING SURFACE)



1AL-H2-S-SLV



Brushed Aluminum Panel
(0-PANEL-H2-BR)



Frosted Acrylic Panel
(0-PANEL-H2-FA)

DETAIL VIEW



front



side



back



H2 DELUXE

DESCRIPTION:

Black powder coated anodized aluminum frame with black MDF top and base.

PANEL OPTIONS:

Matte black aluminum, brushed aluminum or frosted acrylic available by request.

BLACK
(SPEAKING SURFACE)



1AL-H2-D



Matte Black Panel
(0-PANEL-H2-BLK)

BLACK
(SPEAKING SURFACE)



1AL-H2-D



Brushed Aluminum Panel
(0-PANEL-H2-BR)



Frosted Acrylic Panel
(0-PANEL-H2-FA)

DETAIL VIEW



front



side



back



H2 CUSTOM

DESCRIPTION:

Anodized aluminum frame with your choice of: Sunday Brunch, Natural Maple, or Sunset Cruise top and base.

PANEL OPTIONS:

Brushed aluminum or frosted acrylic.
Matte black aluminum available by request.

SUNDAY BRUNCH (SPEAKING SURFACE)



1ALT-H2-C-SUNB



Brushed Aluminum Panel
(0-PANEL-H2-BR)



Frosted Acrylic Panel
(0-PANEL-H2-FA)

NATURAL MAPLE (SPEAKING SURFACE)



1ALT-H2-C-MAP



Brushed Aluminum Panel
(0-PANEL-H2-BR)



Frosted Acrylic Panel
(0-PANEL-H2-FA)

SUNSET CRUISE (SPEAKING SURFACE)



1ALT-H2-C-SUNC



Brushed Aluminum Panel
(0-PANEL-H2-BR)



Frosted Acrylic Panel
(0-PANEL-H2-FA)



DESCRIPTION:

Anodized aluminum frame with black MDF large top and wide base.
Black powder coated frame upgrade available.

PANEL OPTIONS:

Brushed aluminum, frosted acrylic, or matte black aluminum.

BLACK (SPEAKING SURFACE)



1AL-H2W-SLV-V2



Brushed Aluminum Panel
(0-PANEL-H2-BR)



Frosted Acrylic Panel
(0-PANEL-H2-FA)

BLACK FRAME UPGRADE



1AL-H2W-SLV-VS
ADD: 3-POWCOAT-BLK



Matte Black Aluminum Panel
(0-PANEL-H2-BLK)



Brushed Aluminum Panel
(0-PANEL-H2-BR)



Frosted Acrylic Panel
(0-PANEL-H2-FA)

DETAIL VIEW



front



side



back



DESCRIPTION:

Anodized aluminum frame with black MDF large top and wide base, laptop swivel shelf, and compartment door. Black powder coated frame upgrade available.

PANEL OPTIONS:

Brushed aluminum, frosted acrylic, or matte black aluminum.

BLACK (SPEAKING SURFACE)



1AL-H2W-M-SLV-V2



Brushed Aluminum Panel
(0-PANEL-H2-BR)

BLACK FRAME UPGRADE



1AL-H2W-M-SLV-V2
ADD: 3-POWCOAT-BLK



Matte Black Aluminum Panel
(0-PANEL-H2-BLK)



Brushed Aluminum Panel
(0-PANEL-H2-BR)

DETAIL VIEW



front



side

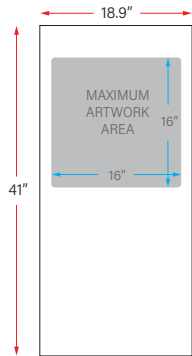


back



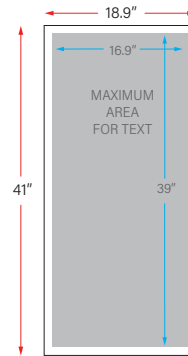
Branding options for our H2 and H2W podiums.

VINYL APPLIED TO FRONT PANEL



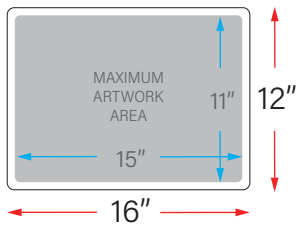
Vinyl Signage
(4-VS)

FULL PANEL PRINT



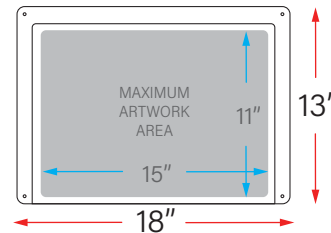
Full Panel Vinyl Signage
(4-VS-FULL)

MAGNETIC SIGN PANEL (only available for brushed or matte black aluminum)



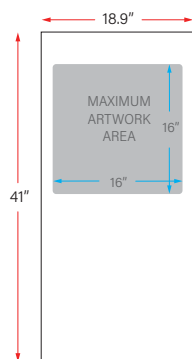
Magnetic Sign Panel
(Brushed Aluminum: 3-SIGN-MAG-AL)
(Matte Black: 3-SIGN-MAG-AL-BLK)

ACRYLIC SIGN HOLDER (only available for brushed or matte black aluminum)



Acrylic Sign Holder
(3-SIGN-HOLDER-AG)

3D ACRYLIC (only available for brushed or matte black aluminum)



3D Acrylic Signage
(3-SIGN-RETAIN3D)

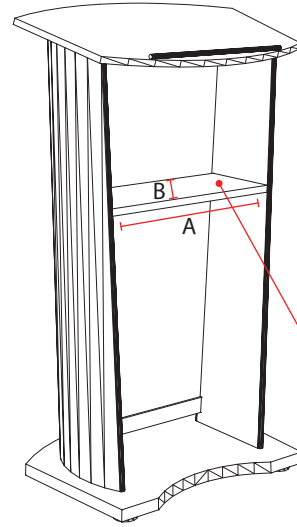
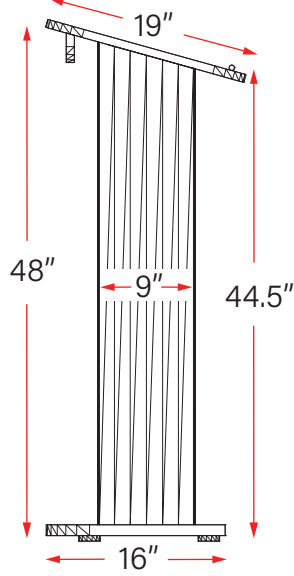
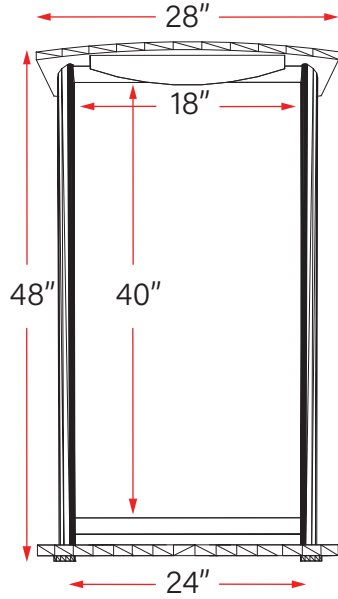


DIMENSIONS

DESCRIPTION:

- Dimensions and weight of assembled H2 Standard, Deluxe or Custom podium.
- Dimensions and weight of assembled H2 podium, including packaging.
- Size of front panel prior to assembly.

ASSEMBLED H2 PODIUM



Weight: ~55lbs

Water Shelf:
20" x 9" (A x B)

ASSEMBLED SHIPPING PACKAGE

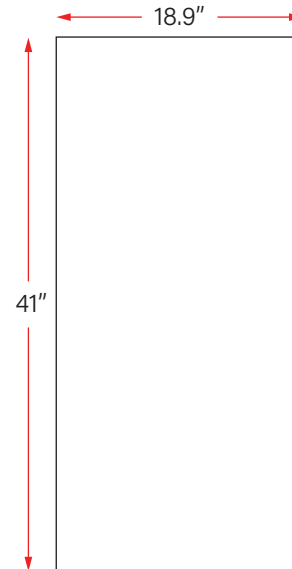


Weight: ~68lbs

Packaging
(4-PACK-VH1-V2)

PANEL SIZE (UNASSEMBLED)

H2

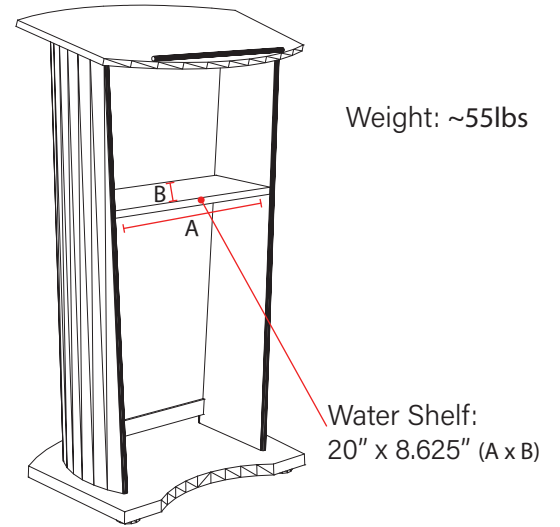
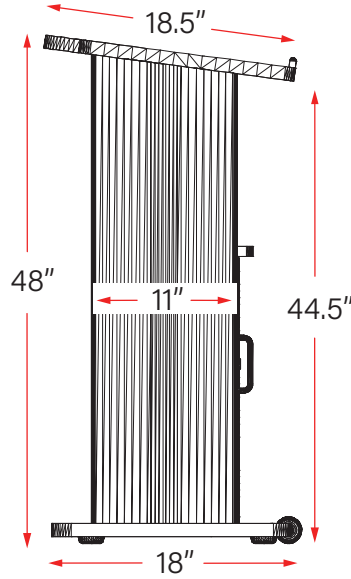
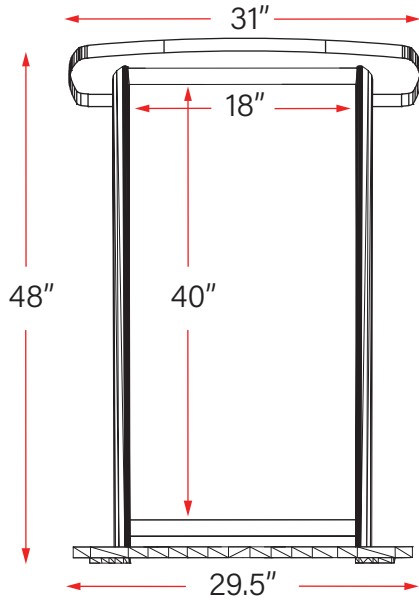


DIMENSIONS

DESCRIPTION:

- Dimensions and weight of assembled H2W podium.
- Dimensions and weight of assembled H2W podium, including packaging.
- Size of front panel prior to assembly.

ASSEMBLED H2W PODIUM



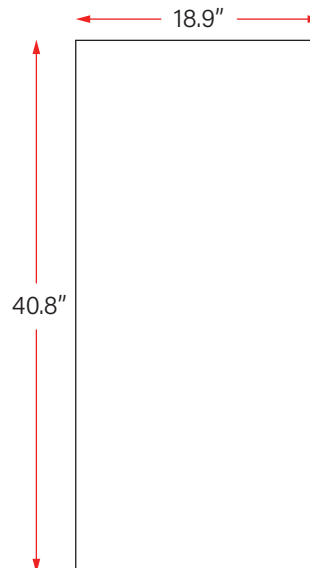
ASSEMBLED SHIPPING PACKAGE



Weight: ~87lbs

PANEL SIZE (UNASSEMBLED)

H2W

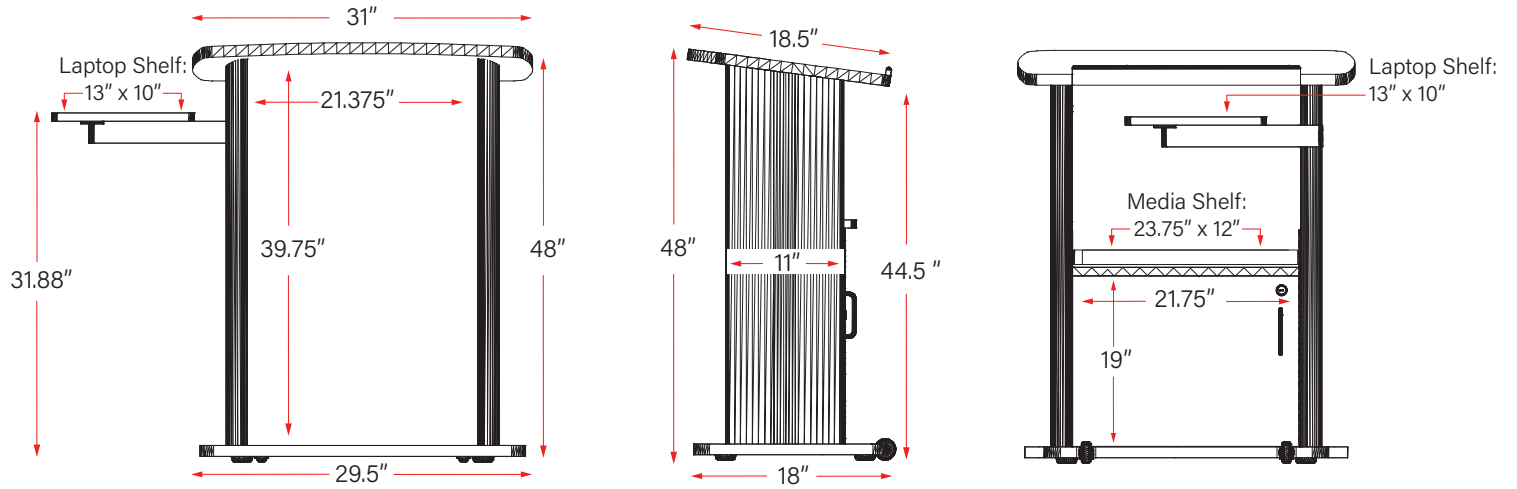


DIMENSIONS

DESCRIPTION:

- Dimensions and weight of assembled H2W Media podium.
- Dimensions and weight of assembled H2W Media podium, including packaging.
- Size of front panel prior to assembly.

ASSEMBLED H2W MEDIA PODIUM



Weight: ~55lbs

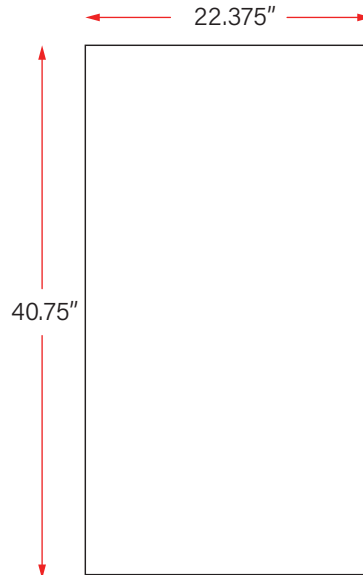
ASSEMBLED SHIPPING PACKAGE



Weight: ~95lbs

PANEL SIZE (UNASSEMBLED)

H2W MEDIA





p o d i u m p r o s

modern lecterns with integrated innovations

