

COLLEGIATE WOODEN LINE

Modern lecterns designed with style and elegance.



COLLEGIATE

DESCRIPTION:

Crafted from oak and finished with a specialized stain.
Wooden podiums includes concealed A/V components.



front detail



side detail



back detail

*Pecan Shown

SIGNAGE

DESCRIPTION:

Branding options for our Collegiate podium.

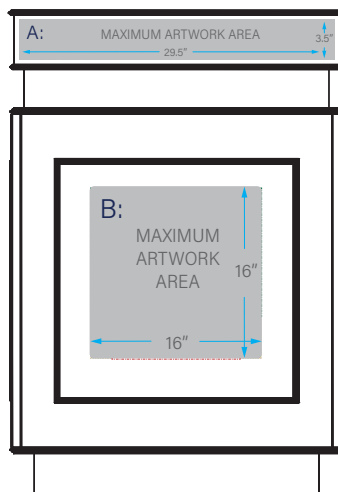
3D ACRYLIC

Location options available:

a: Upper Lettering

b: Lower Logo

c: Combination of "a" and "b"



3D Acrylic Signage
(3-SIGN-RETAIN3D)

*Brown Cherry Shown



353 Saunders Rd, Unit 10-11, Barrie ON L4N 9A3
Tel: 705-739-6745 Fax: 705-739-1228
www.podiumpros.com



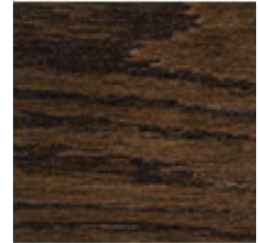
Stain options for our Collegiate podium.



Rosewood
(W200)



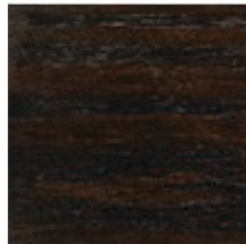
Pecan
(W239)



Black
(W240)



Gunstock Walnut
(W247)



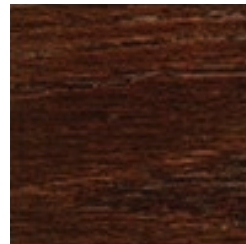
Brown Mahogany
(W260)



Brown Cherry
(W263)



Regency Mahogany
(W268)



Golden Oak
(W201)

****Brochure is for visual reference only. Final product may vary due to production processes, materials, and color reproduction.**



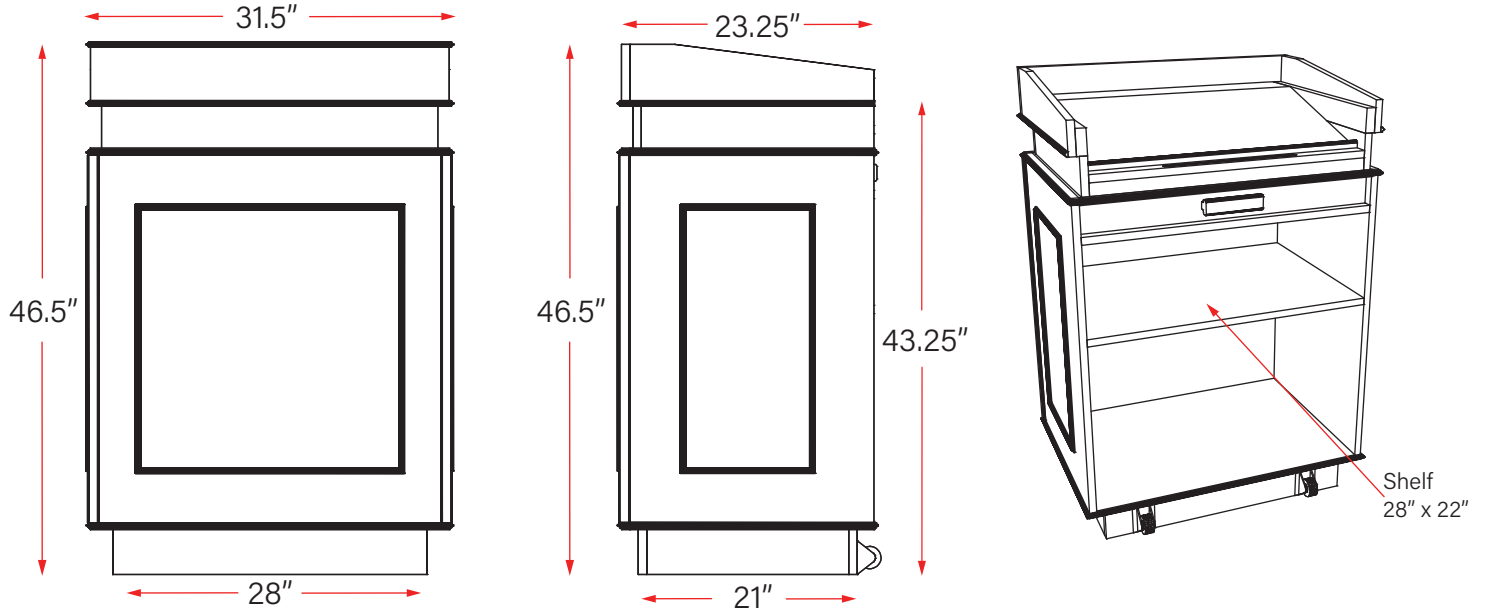
DIMENSIONS

DESCRIPTION:

- Dimensions and weight of assembled Collegiate podium.
- Dimensions and weight of assembled Collegiate podium, including packaging.

ASSEMBLED COLLEGIATE PODIUM

Weight: ~150lbs



ASSEMBLED SHIPPING PACKAGE

Weight: ~275lbs





p o d i u m p r o s

modern lecterns with integrated innovations

